

Surface Mount Aluminum Electrolytic Capacitors NAWU Series

FEATURES

- CYLINDRICAL V-CHIP CONSTRUCTION FOR SURFACE MOUNTING
- HIGH TEMPERATURE, EXTEND LIFE (5000 HOURS @ 105°C)
- 4X6.1mm ~ 6.3X6.1mm CASE SIZES
- DESIGNED FOR REFLOW SOLDERING

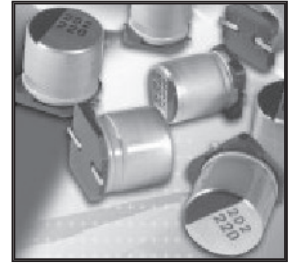
CHARACTERISTICS

Rated Voltage Range	6.3 ~ 50Vdc						
Rate Capacitance Range	0.1 ~ 100µF						
Operating Temp. Range	-40°C ~ +105°C						
Capacitance Tolerance	±20% (M)						
Max. Leakage Current After 2 Minutes @ 20°C	0.01CV or 3µA whichever is greater						
Tan δ @ 120Hz/20°C	W.V. (Vdc)	6.3	10	16	25	35	50
	S.V.(Vdc)	8	13	20	32	44	63
	Tan δ	0.30	0.24	0.20	0.16	0.14	0.14
Load Life Test @ 105°C 5,000hrs	Capacitance Change	Within ± 30% of initial measured value					
	Tan δ	Less than 300% of specified max. value					
	Leakage Current	Less than specified max. value					

**RoHS
Compliant**

includes all homogeneous materials

*See Part Number System for Details



STANDARD VALUES, PART NUMBERS AND MAXIMUM RIPPLE CURRENT

Part Number	W.V. (Vdc)	Cap. (µF)	Ripple Current Rating (mA @ 105°C/120Hz)
NAWU220M6.3V4X6.1JBF	6.3	22	22
NAWU470M6.3V5X6.1JBF		47	38
NAWU101M6.3V6.3X6.1JBF		100	69
NAWU330M10V5X6.1JBF	10	33	35
NAWU100M16V4X6.1JBF		10	18
NAWU220M16V5X6.1JBF	16	22	30
NAWU470M16V5X6.1JBF		47	50
NAWU330M25V6.3X6.1JBF		25	33
NAWU4R7M35V4X6.1JBF	35	4.7	16
NAWU100M35V5X6.1JBF		10	27
NAWU220M35V5X6.1JBF		22	44
NAWUR10M50V4X6.1JBF		50	0.1
NAWUR22M50V4X6.1JBF	0.22		2.6
NAWUR33M50V4X6.1JBF	0.33		3.2
NAWUR47M50V4X6.1JBF	0.47		4.0
NAWU1R0M50V4X6.1JBF	1.0		8.0
NAWU2R2M50V4X6.1JBF	2.2		11
NAWU3R3M50V4X6.1JBF	3.3		14
NAWU4R7M50V5X6.1JBF	4.7		19
NAWU100M50V6.3X6.1JBF	10		32

PEAK REFLOW TEMPERATURE CODES

Code	Peak Reflow Temperature
J	240°C

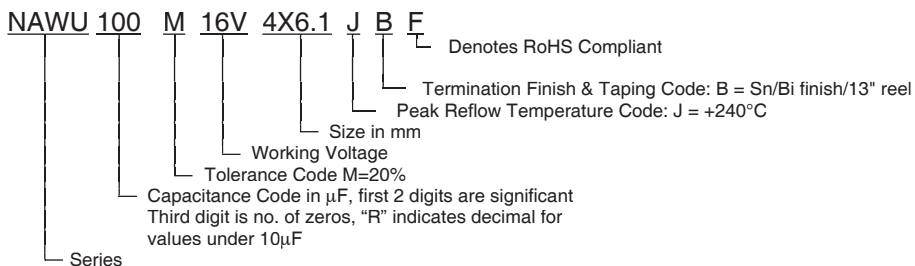
TERMINATION FINISH & PACKAGING OPTIONS CODES

Code	Finish & Reel Size
B	Sn-Bi Finish & 13" Reel
LB	Sn-Bi Finish & 15" Reel
S	100% Sn Finish & 13" Reel
LS	100% Sn Finish & 15" Reel

RIPPLE CURRENT FREQUENCY CORRECTION FACTOR

Frequency Hz	60(50)	120	500	1K	10K≤
0.1 ~ 1.0µF	0.50	1.00	1.20	1.30	1.50
2.2 ~ 4.7µF	0.65	1.00	1.20	1.30	1.50
10 ~ 47µF	0.80	1.00	1.20	1.30	1.50
100µF	0.80	1.00	1.10	1.15	1.20

PART NUMBER SYSTEM



PRECAUTIONS

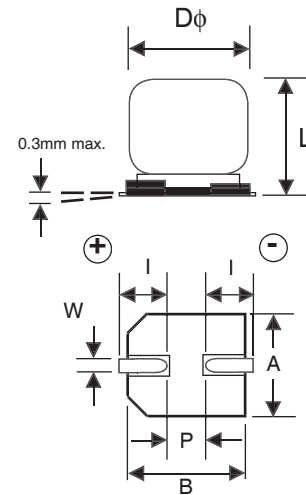
Please review the notes on correct use, safety and precautions found on pages T10 & T11 of NIC's Electrolytic Capacitor catalog.
Also found at www.niccomp.com/precautions
If in doubt or uncertainty, please review your specific application - process details with NIC's technical support personnel: tpmg@niccomp.com



Surface Mount Aluminum Electrolytic Capacitors NAWU Series

STANDARD PRODUCTS AND CASE SIZE TABLE D x L (mm)

Cap (μF)	Code	Working Voltage (Vdc)						
		6.3	10	16	25	35	50	
0.1	R10	-	-	-	-	-	-	4X6.1
0.22	R22	-	-	-	-	-	-	4X6.1
0.33	R33	-	-	-	-	-	-	4X6.1
0.47	R47	-	-	-	-	-	-	4X6.1
1.0	1R0	-	-	-	-	-	-	4X6.1
2.2	2R2	-	-	-	-	-	-	4X6.1
3.3	3R3	-	-	-	-	-	-	4X6.1
4.7	4R7	-	-	-	-	-	-	4X6.1
10	100	-	-	-	-	-	-	4X6.1
22	220	4X6.1	-	4X6.1	-	4X6.1	-	5X6.1
33	330	-	5X6.1	-	5X6.1	-	-	6.3X6.1
47	470	5X6.1	-	6.3X6.1	-	-	-	-
100	101	6.3X6.1	-	-	-	-	-	-

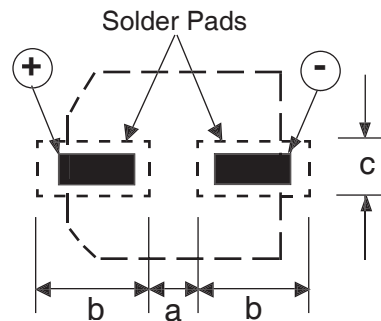


DIMENSIONS D x L (mm)

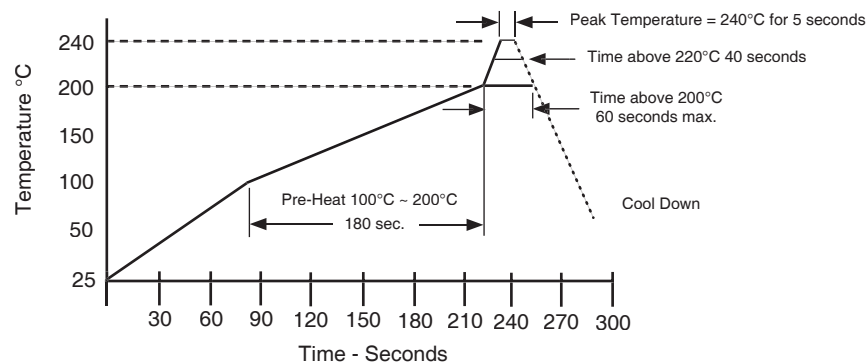
Case Size	φD	L max.	A ± 0.2	B ± 0.2	I ± 0.2	W	P ± 0.2
4x6.1	4.0	6.1	4.3	4.3	1.8	0.5 ~ 0.8	1.0
5x6.1	5.0	6.1	5.3	5.3	2.2	0.5 ~ 0.8	1.3
6.3x6.1	6.3	6.1	6.6	6.6	2.7	0.5 ~ 0.8	1.8

RECOMMENDED LAND PATTERN (mm)

Case Dia.	a	b	c
4	1.0	2.6	1.6
5	1.4	3.0	1.6
6.3	2.1	3.5	1.6



REFLOW SOLDERING PROFILE



CARRIER TAPE DIMENSIONS & REEL QTY

Case Size	A ± 0.5	B ± 0.2	C ± 0.3	D ± 0.1	P ± 0.1	T ± 0.2	Qty
4 x 6.1	4.7	4.7	12.0	5.5	8.0	6.2	1,200
5 x 6.1	5.7	5.7	12.0	5.5	12.0	6.2	800
6.3 x 6.1	7.0	7.0	16.0	7.5	12.0	6.2	800

